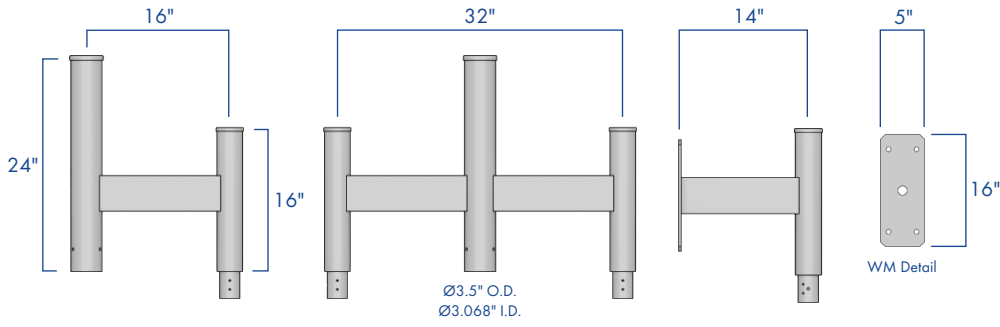


Job Name: _____ Location: _____ Quote: _____
 Client Name: _____ Type: _____ Quote Date: _____



DESCRIPTION

This versatile arm is suited for traditional and contemporary fixtures. The AXO-PM arm is ideal for courtyards, pathways, municipal, and commercial decorative light pole applications.

FEATURES

- Pendant Mount standard fixture mounting.
- Center tube fabricated from 3.5" O.D. T6063 extruded aluminum pipe.
- Outer tubes fabricated from 2.875" O.D. T6063 extruded aluminum pipe.
- Arms fabricated from 2"x4" T6063 extruded aluminum.
- Stainless steel hardware.

TGIC thermoset polyester powder coat finish is electrostatically applied at a 3.0 mil nominal thickness. A five stage metal pre-treatment process and sealer provide maximum corrosion resistance. The powder top coat is baked in excess of 400 degrees for supreme endurance.



ORDERING INFORMATION

AVPL -	ARM	MOUNTING	FINISH
	AXO-PM	1-90..... ○	DARK BRONZE
		2-90..... ○○	BLACK
		2-180..... ○○	WHITE
		3-90..... ○○○	GREY
		3-120..... ○○○	GREEN
		4-90..... ○○○○	
		WALL MOUNT..... ○	