

Job Name: \_\_\_\_\_ Location: \_\_\_\_\_ Quote: \_\_\_\_\_  
 Client Name: \_\_\_\_\_ Type: \_\_\_\_\_ Quote Date: \_\_\_\_\_

### DESCRIPTION

This versatile arm is suited for traditional and contemporary fixtures. The BXC arm is ideal for courtyards, pathways, municipal, and commercial decorative light pole applications.

### FEATURES

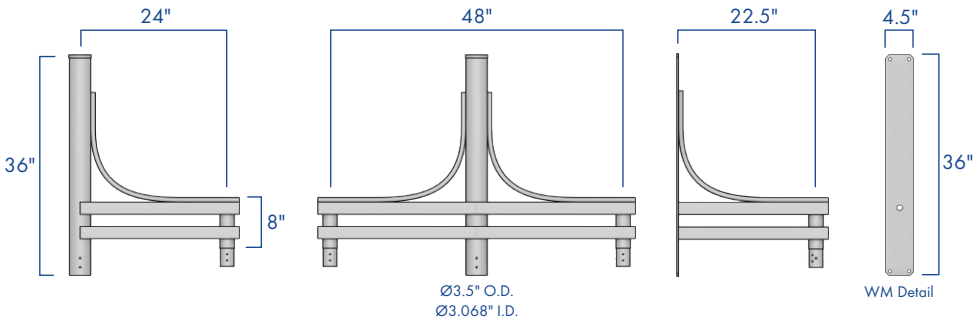
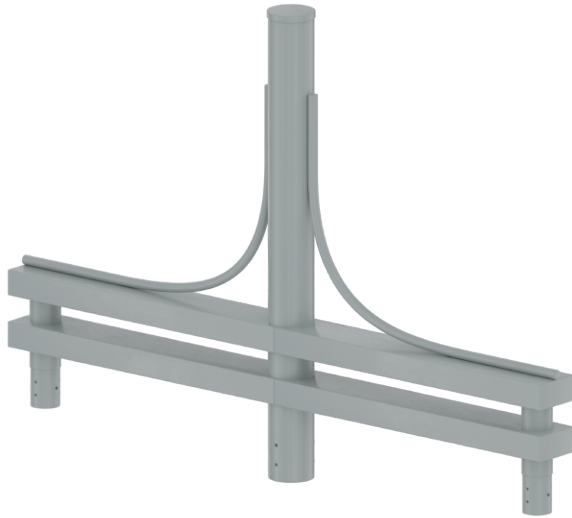
Pendant Mount standard fixture mounting.

Horizontal arms fabricated from extruded schedule 40 aluminum rectangular tube.

Center fabricated from 3 1/2" O.D. extruded schedule 40 aluminum pipe.

Stainless steel hardware.

TGIC thermoset polyester powder coat finish is electrostatically applied at a 3.0 mil nominal thickness. A five stage metal pre-treatment process and sealer provide maximum corrosion resistance. The powder top coat is baked in excess of 400 degrees for supreme endurance.



## ORDERING INFORMATION

AVPL -

ARM	MOUNTING	FINISH
BXC	1-90..... ○	DARK BRONZE
	2-90..... ○○	BLACK
	2-180..... ○○	WHITE
	3-90..... ○○○	GREY
	4-90..... ○○○○	GREEN
	WALL MOUNT..... ○	