



AXL-ROD

PENDANT MOUNT ARM

AV POLES & LIGHTING
 43827 Division St.
 Lancaster, CA 93535
 Toll Free: (844) 770-AVPL
 Fax: (661) 945-2764
 sales@avpltg.com
 www.avpltg.com

POLES & LIGHTING

Job Name: _____

Location: _____

Quote: _____

Client Name: _____

Type: _____

Quote Date: _____

DESCRIPTION

This versatile arm is suited for traditional and contemporary fixtures. The AXL-ROD arm is ideal for courtyards, pathways, municipal, and commercial decorative light pole applications.

FEATURES

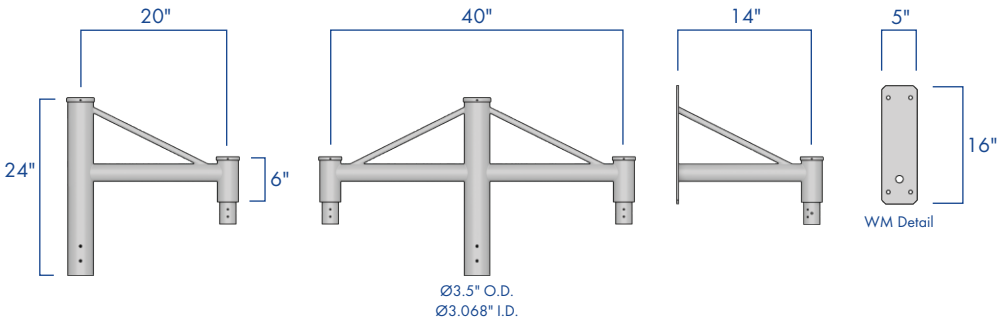
Pendant Mount standard fixture mounting.

Horizontal arms fabricated from 2 3/8" O.D. A500 grade B structural steel schedule 40 pipe.

Center fabricated from 3 1/2" O.D. A500 grade B structural steel schedule 40 pipe.

Stainless steel hardware.

TGIC thermoset polyester powder coat finish is electrostatically applied at a 3.0 mil nominal thickness. A five stage metal pre-treatment process and sealer provide maximum corrosion resistance. The powder top coat is baked in excess of 400 degrees for supreme endurance.



ORDERING INFORMATION

AVPL -

ARM	MOUNTING	FINISH
AXL-ROD	1-90..... ○	DARK BRONZE
	2-90..... ○○	BLACK
	2-180..... ○○	WHITE
	3-90..... ○○○	GREY
	3-120..... ○○○	GREEN
	4-90..... ○○○○	
	WALL MOUNT..... ○	

ALL RAL COLORS
 AVAILABLE